

EC06D

Ceiling Speaker



KEY FEATURES

- Equipped with 6" full-range loudspeaker.
- 100V constant voltage input, power: 1.5W/3W/6W (optional)
- Robust clip design for reliable, easy installation.
- Aluminum alloy grille.

Specifications

Speaker

Speaker component	6" full-range driver unit
Sensitivity	93dB+/-3dB
Max sound pressure level	100dB
Rated power(RMS)	6W
Power options	6W/3W/1.5W
Impedance	8Ω
Frequency range	100Hz~20KHz

Mechanical Properties

Color	White(ABS)
Grille	Aluminum Alloy
Product dimension	Ø200 x 70 mm (7.87 x 2.76 in)
Mounting hole size	Ø175mm(6.89 in)
Weight	0.54KG

Environmental

Installation environment	Indoor
Operating temperature	-25°C ~ 55°C (-13°F ~ 131°F)
Storage temperature	-40°C ~ 70°C (-40°F ~ 158°F)
Humidity	10% - 95% RH Non-condensing

Technical drawings

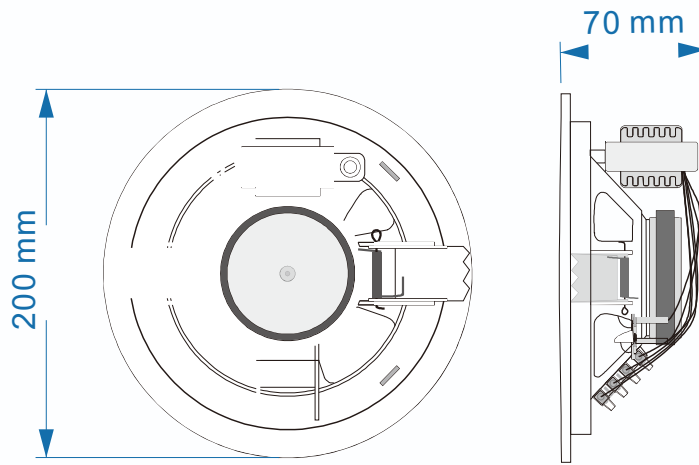


Figure 1: dimension drawing

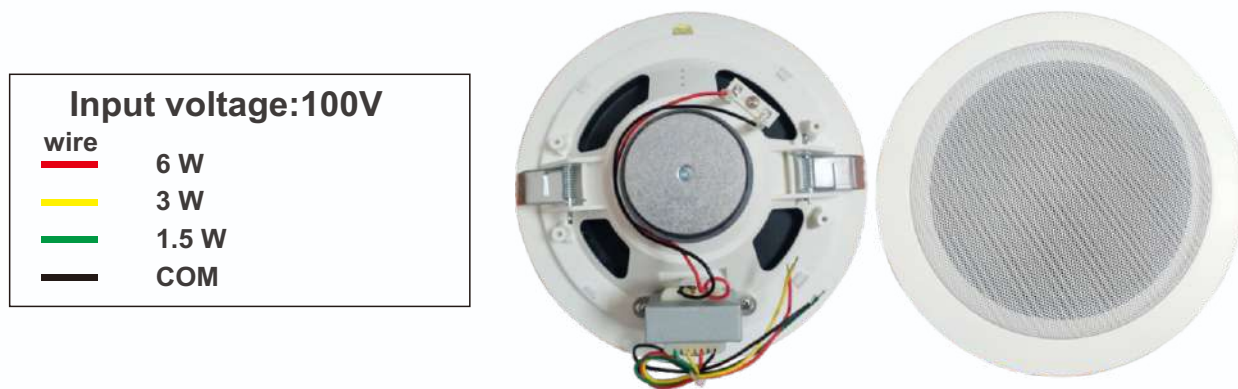


Figure 2: power wiring diagram

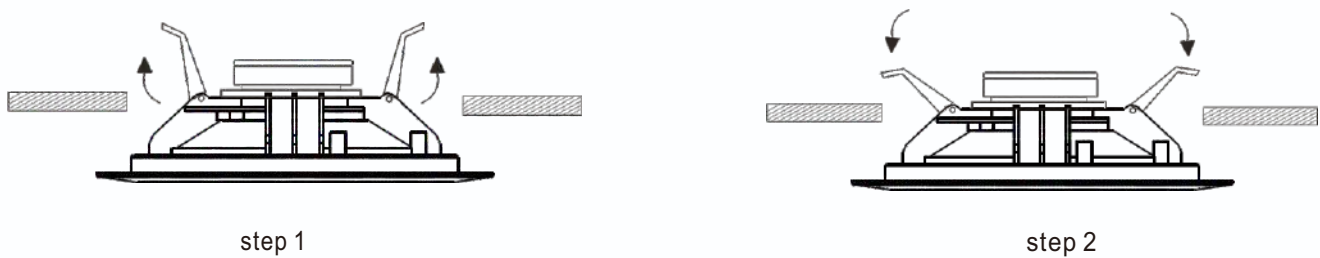


Figure 3: installation drawing

Characteristic curve

